



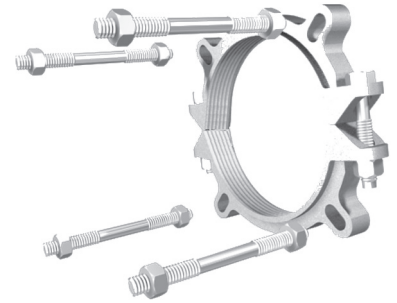
# Series 15PF08SS16

Restraint for C900 PVC  
Pipe at Ductile Iron Fittings

**CONTAINS BOTH DOMESTIC AND IMPORTED HARDWARE**

### Installation Instructions

1. Identify the Pipe. The Series 15PF00 is designed for restraining C900 PVC pipe at ductile iron fittings supplied with restraining ears. It has a split; serrated restraint ring on the spigot and attaches to the joint with connecting rods.
2. Assemble joint per the pipe manufacturer's instructions.
3. Using the connecting rods to determine the proper restraint location, install both halves of the restraint by tapping them into place. Allow enough room on the connecting rods to fully engage the nuts. Make sure the complete I.D. of the restraint is touching the pipe before installing and tightening of side bolts. Side bolts are to be evenly tightened to 60 ft-lbs of torque (110 ft-lbs on 8 inch, 10 inch, and 12 inch).
4. Tighten the connecting bolts until snug. Do not over tighten connecting bolts as to move the spigot further into the joint.



### CONTENTS

Qty.	Description
1	8 in. 1500 Split Restraint Ring
2	3/4 in. by 8 in. Steel Tie Rods w/ Nuts

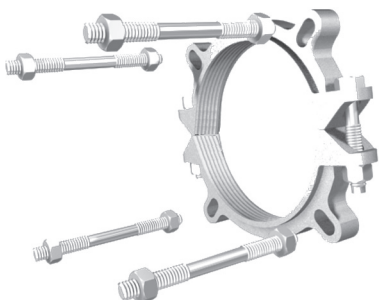
**Restraints Made in The USA**

For use on water or wastewater pipelines subject to hydrostatic pressure and tested in accordance with either AWWA C600 or ASTM D2774

APPROXIMATE SHIPPING WEIGHT: 16.43 lbs.

0321-I

Copyright 2021 © EBA A IRON, Inc. All Rights Reserved



### Series 15PF08SS16

Restraint for C900 PVC  
Pipe at Ductile Iron Fittings



1 5 P F 0 8 S S 1 6

**EBA A IRON SALES, Inc.**  
P.O. Box 857, Eastland, TX 76448  
Tel: (254) 629-1731  
Fax: (254) 629-8931  
Toll: (800) 433-1716  
contact@ebaa.com  
www.ebaa.com

**Made in the USA**