



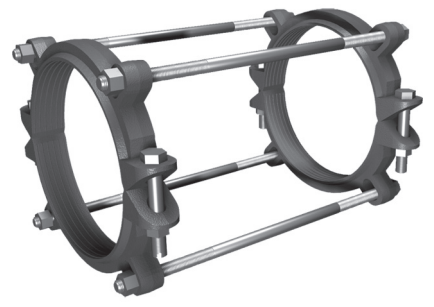
Series 151000DSS16

Bell Restraint Harness for C900 PVC Pipe
Serrated Restraint Rings on Both Sides of the Bell;
Stainless Steel Fasteners

CONTAINS ALL DOMESTIC HARDWARE

Installation Instructions

1. The Series 1500 is designed for restraining push-on PVC pipe bells. It has a split, serrated restraint ring on the spigot and a split serrated ring behind the bell.
2. Assemble the push-on joint per the pipe manufacturer's instructions.
3. Install both halves of the serrated ring around the pipe behind the bell, tapping each half into place. Make sure that the complete ID of the ring is touching the pipe before installing the side bolts. Install the side bolts and tighten evenly to 110 ft-lbs. of torque. (60 ft-lbs. on 4-inch and 6-inch)
4. Remove the side bolts from the second serrated restraint ring. Use the Thrust Bolts to determine the proper location of the restraint ring on the spigot. Allow enough room on the thrust bolt to fully engage the nuts.
5. Install both halves of the restraint ring at the proper location, tapping each half into place. Make sure that the complete ID of the ring is touching the pipe before installing the side bolts. Tighten the side bolts evenly to 110 ft-lbs. (60 ft-lbs. on 4-inch and 6-inch)
6. Place nuts on the thrust bolts and tighten until they are snug. Allow enough room on the thrust bolts to fully engage the nuts. Do not tighten these bolts enough to force the spigot further into the bell of the joint.



CONTENTS

Qty.	Description
2	10 inch Series 1500 Split Restraint Ring
4	Stainless Steel Tie Rods

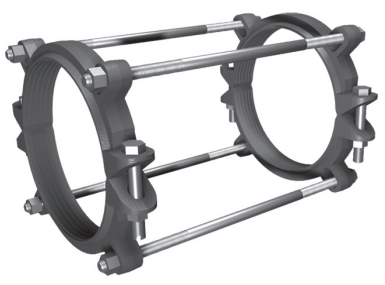
Restraints Made in The USA

For use on water or wastewater pipelines subject to hydrostatic pressure and tested in accordance with either AWWA C600 or ASTM D2774

APPROXIMATE SHIPPING WEIGHT: 51.80 lbs.

0120-H

Copyright 2021 © EBAA IRON, Inc. All Rights Reserved



Series 151000DSS16

Bell Restraint Harness for C900 PVC Pipe
Serrated Restraint Rings on Both Sides of the Bell;
Stainless Steel Fasteners



1 5 1 0 0 0 D S S 1 6

EBAA IRON SALES, Inc.

P.O. Box 857, Eastland, TX 76448
Tel: (254) 629-1731
Fax: (254) 629-8931
Toll: (800) 433-1716
contact@ebaa.com
www.ebaa.com

Made in the USA